

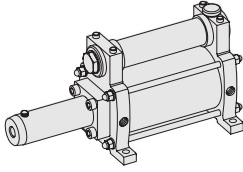
# Booster Series

Direct Compressed Type  
Precompressed Type

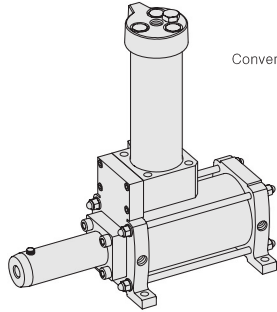
■ Heavy Pressure Rate - 11 : 1  
25 : 1

■ Overflowing Oil Gauge  
70cm<sup>3</sup> (70cc)

Direct Compressed Type  
YNBH3-40 (11:1)  
YNBH3-60 (25:1)



Precompressed Type  
YNPH3-40 (11:1)  
YNPH3-60 (25:1)



Converter is Optional

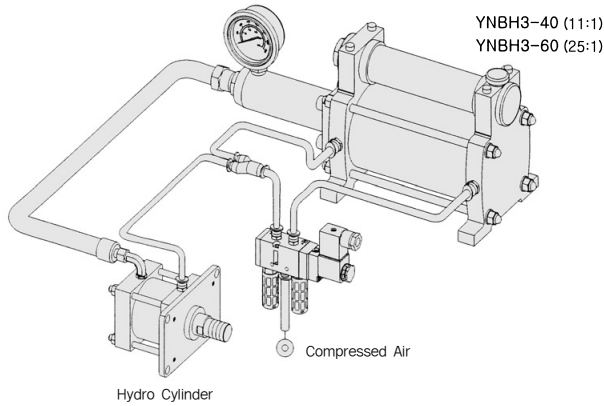
## SPECIFICATION

ITEM	SERIES	YNBH3-40	YNBH3-60
		YNPH3-40	YNPH3-60
Heavy Pressure Rate		11 : 1	25 : 1
Overflowing Oil Gauge		70cm <sup>3</sup> (70cc)	70cm <sup>3</sup> (70cc)
Overflowing Oil Pressure at the Time of Application Maximum air Pressure Temperature		77kgf/cm <sup>2</sup>	175kgf/cm <sup>2</sup>
Ambient & Fluid Temp.		5~60°C (41~140°F)	
Operation Oil		Cosmomiter 10(cosmo gasolin), Tough spendux oil(made in Julkwang Tongsan Co.)	
Air Pressure Department	Fluid	Air	
	Oil-Feeding	Not Require	
	Pressure	3~7bar	
	Oil	Tubin oil, Oil Equivalent to ISO VG 32#	
Weight(direct pressure)		8.0kgf	10.0kgf

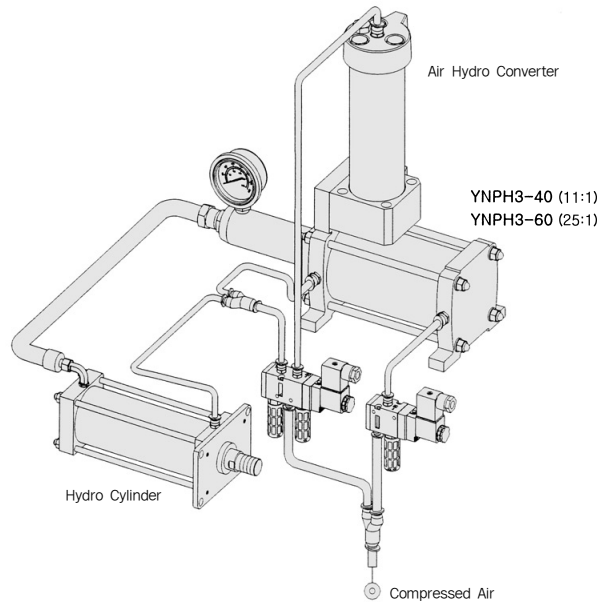
### The Material of Parts

- Rod Cover : Die-Cast Aluminium
- Tie Rod : Carbon Iron
- Head Cover : Die-Cast Aluminium
- Hex Nut : Carbon Iron
- Tube : Aluminium Extruding

\* The specification on each item can be amended without any prenotice to improve a performance.  
\* The specification on each item can be different from actual specification.



Direct Compressed Type



Precompressed Type

## ORDERING NO.

**YNBH 3 - 40 - 70**

Booster Series	
YNBH3	Direct Compressed Type
YNPH3	Precompressed Type

Heavy Pressure Rate	
40	(11:1)
60	(25:1)

Overflowing	
70	70CC
100	100CC