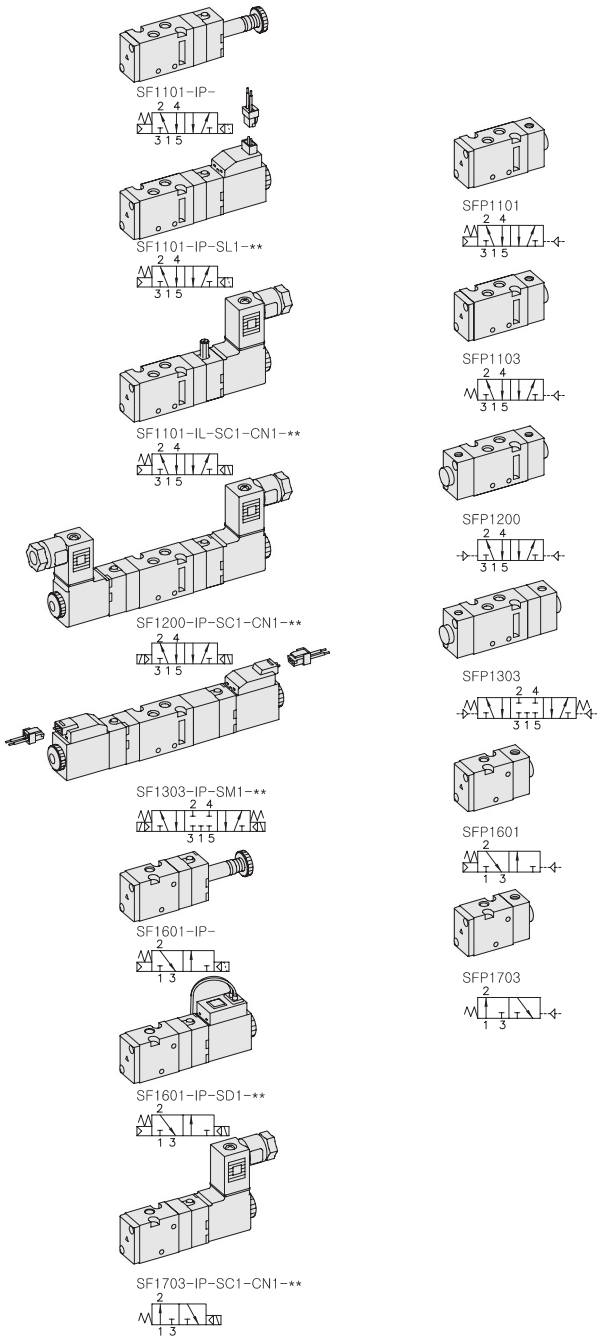


SF1000. M5

"F" FLEXIBLE Series
Solenoid / Pneumatic Valves

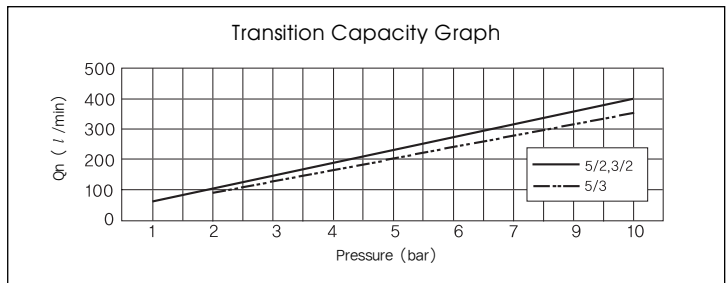
- 5/2, 5/3, 3/2 - M5
- 15mm Body Width
- Transition Flow 200ℓ/min (5bar)



** : Voltage Selection (see page 80)

SPECIFICATION

ITEM	SERIES	SOLENOID, PNEUMATIC	
		FUNCTION	
		5, 3 Port 2 Position	5 Port 3 Position
Fluids		Compressed Air & Inert Gases	
Pressure(bar)		1.5~10.0	2.0~10.0
Eff. Section Area(mm ²)-5bar		3.6	3.0
Ambient & Fluid Temp.		5~60°C (41~140°F)	
Response Time(5bar)		25ms or Less	35ms or Less
Max. Working Frequency		5c/sec	3c/sec
Lubrication		Not Required(Use ISO VG32 #)	
Manual Override		Push Button(Standard), Lever Lock(Option)	
Coil Insulation Class		F-Class or Equivalent	
Permissible Voltage Variation		±10% of Rated Voltage	
Off Min. Residual Voltage		AC:20% or Less / DC:10% or Less	
Power Consumption		Holding-AC:3.5VA(60Hz) / DC:2.5W	



- ### The Material of Parts
- Valve Body : Die-Cast Aluminium
 - Spool : Aluminium
 - Seals : NBR
 - Spring : Stainless
 - Cap : Zinc Pressure Die-Cast
 - Pilot Parts : Glass Filled Nylon
 - Armature : Stainless Steel
 - Armature Seals : Viton

Plug Connector With Clip

Ordering Code
 PG2-06 (L : 600mm)
 PG2-10 (L : 1,000mm)

* The specification on each item can be amended without any prenotice to improve a performance.
 * The specification on each item can be different from actual specification.

ORDERING NO.

SF1 1 0 1 - I P - SC1 - CN1 - A2

Valve Series	Function	Port Size & Thread	Return Method	Int/Ext. Pilot	Manual Operator	Solenoid Coil Type	Connector Type	Voltage
SF1 : Solenoid Valve	1 5/2 Single	0 M5×0.8	0 None	I Internal Pilot	0 None	0 None	0 None	0 None
	2 5/2 Double	1 10-32 UNF	1 Air + Spring		P Push Non-Locking	SC1 3 Pin Connector Coil	CN1 Normal Connector	A2 AC 220V
	3 5/3 Closed Center		2 Air		L Lever Locking	SG1 Grommet/Flying Leads	CD1 Connector With LED	A1 AC 110V
SFP1 : Pneumatic Valve	4 5/3 Open Center		3 Spring			SD1 Grommet/Flying Leads With LED	CZ1 Connector With LED & Surge Suppressor	A4 AC 24V
	5 5/3 Pressure Center					SL1 90 Degree Plug-in Wire Assembly With LED		D4 DC 24V
	6 3/2 Normally Closed					SM1 180 Degree Plug-in Wire Assembly With LED		D2 DC 12V
	7 3/2 Normally Open							