

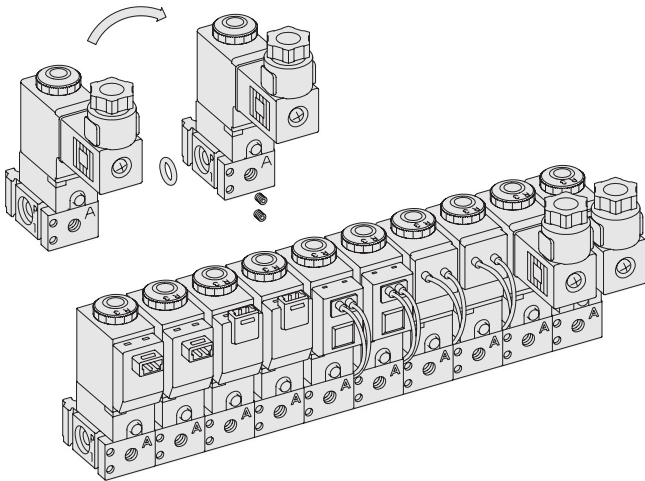
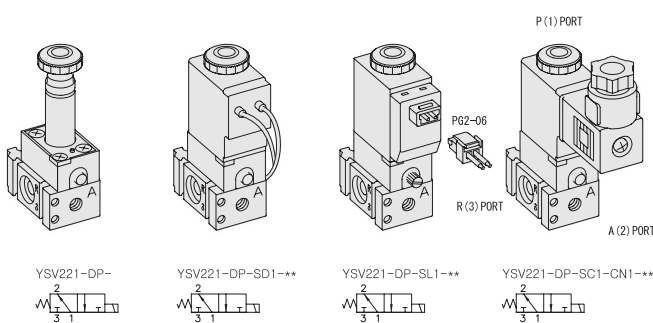
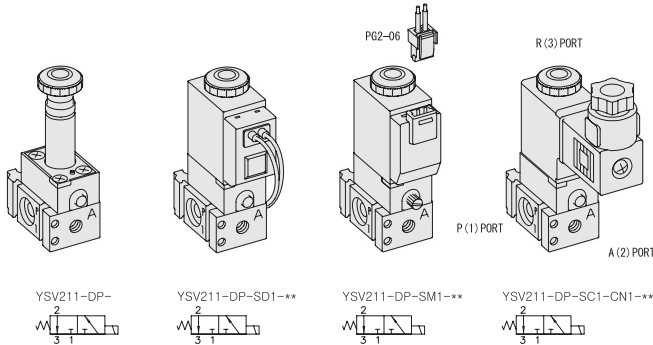
YSV200. M5

Direct Actuated
Staking Body Valves

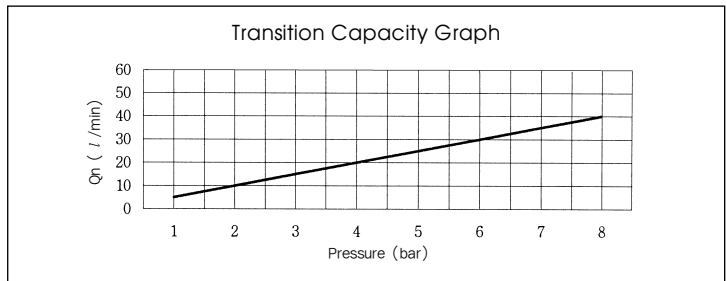
- 3/2- Direct Operation Type
- High Durability
- Orifice \varnothing 1.1mm

SPECIFICATION

ITEM	FUNCTION	SERIES	YSV211	YSV221
			3/2-N.C	3/2-N.O
Fluids		Compressed Air & Inert Gases		
Pressure(bar)		0~8.0		
Orifice(mm)		P = \varnothing 1.1, R = \varnothing 1.2	P = \varnothing 1.2, R = \varnothing 1.1	
Ambient & Fluid Temp.		5~60°C (41~140°F)		
Response Time(5bar)		20ms or Less		
Max. Working Frequency		8c/sec		
Lubrication		Not Required(Use ISO VG32 #)		
Manual Override		Push Button(Standard), Lever Lock(Option)		
Coil Insulation Class		F-Class or Equivalent		
Permissible Voltage Variation		\pm 10% of Rated Voltage		
Off Min. Residual Voltage		AC:20% or Less / DC:10% or Less		
Power Consumption		AC:3.5VA(60Hz) / DC:2.5W		



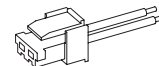
** : Voltage Selection (see page 80)



The Material of Parts

- Valve Body : Aluminium
- Pilot Parts : Glass Filled Nylon
- Pilot Plate : Zinc Pressure Die-Cast
- Spring : Stainless
- Seals : NBR
- Armature : Stainless Steel
- Armature Seals : Viton

Plug Connector With Clip



Ordering Code

PG2-06 (L : 600mm)
PG2-10 (L : 1,000mm)

* The specification on each item can be amended without any prenotice to improve a performance.
* The specification on each item can be different from actual specification.

ORDERING NO.

YSV2 1 1 - D P - SC1 - CN1 - A2

Valve Series	Function	Port Size & Thread	Pilot Source	Manual Operator	Solenoid Coil Type	Connector Type	Voltage
YSV2 : Solenoid Valve	1	1 M5x0.8	D Direct Operated	P Push Non-Locking Override	0 None	0 None	0 None
	2	2 10-32 UNF		L LeverLocking Override	SC1 3 Pin Connector Coil	CN1 Normal Connector	A2 AC 220V
					SG1 Grommet/Flying Leads	CD1 Connector With LED	A1 AC 110V
					SD1 Grommet/Flying Leads With LED	CZ1 Connector With LED & Surge Suppressor	A4 AC 24V
					SL1 90 Degree Plug-in Wire Assembly with LED		D4 DC 24V
					SM1 180 Degree Plug-in Wire Assembly with LED		D2 DC 12V