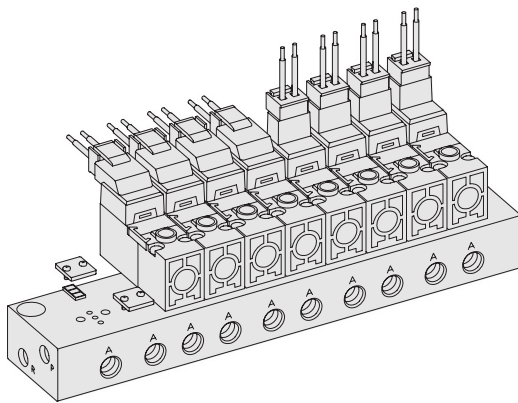
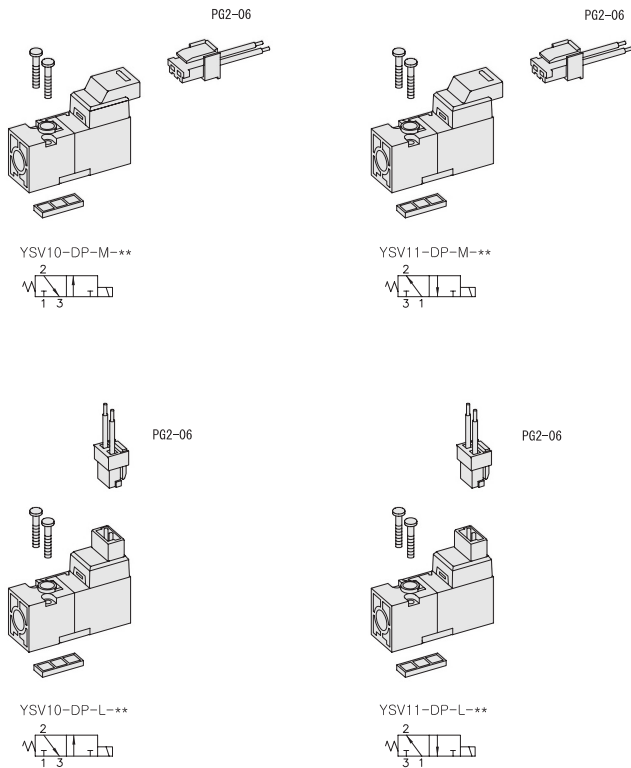


YSV10

Direct Actuated
10mm Pico Solenoid Valves

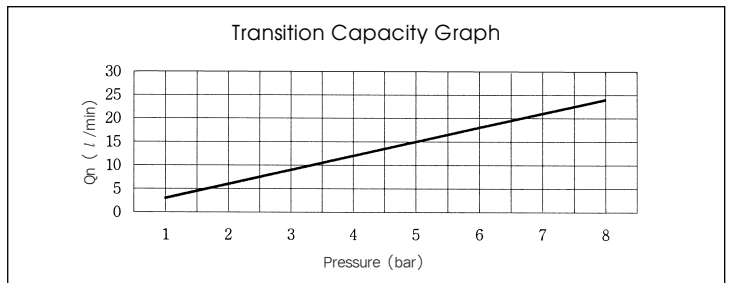
- 3/2- Direct Operation Type
- Manifold Mounting Type
- Orifice \varnothing 0.6mm



** : Voltage Selection

SPECIFICATION

ITEM	SERIES	YSV10	YSV11
FUNCTION		3/2-N.C	3/2-N.O
Fluids	Compressed Air & Inert Gases		
Pressure(bar)	1~8.0		
Orifice(mm)	P = \varnothing 0.6, R = \varnothing 0.7		
Ambient & Fluid Temp.	5~60°C (41~140°F)		
Response Time(5bar)	10ms or Less		
Max. Working Frequency	30c/sec		
Lubrication	Not Required(Use ISO VG32#)		
Manual Override	Push Button		
Coil Insulation Class	F-Class or Equivalent		
Permissible Voltage Variation	\pm 10% of Rated Voltage		
Off Min. Residual Voltage	10% of Rated Voltage		
Power Consumption	0.65W(24V : 27.0mA / 12V : 54.0mA)		



- ### The Material of Parts
- Pilot Parts : Glass Filled Nylon
 - Spring : Stainless
 - Seals : NBR
 - Armature : Stainless Steel
 - Indicator Cap : Polycarbonate

<p>Plug Connector With Clip</p> <p>Ordering Code PG2-06 (L : 600mm) PG2-10 (L : 1,000mm)</p>	<p>Blanking Plate (Material : STS304)</p> <p>Ordering Code YMF10 - BLK</p>
---	---

※ The specification on each item can be amended without any prenotice to improve a performance.
※ The specification on each item can be different from actual specification.

ORDERING NO.

YSV1 0 - D P - L - D4

Valve Series	Function	Pilot Source	Manual Operator	Solenoid Coil Type	Voltage
YSV1 : Solenoid Valve	0 3/2 Normally Closed Spring Return 1 3/2 Normally Open Spring Return	D Direct Operated	P Push Non-Locking	L 90 Degree Plug-in Wire Assembly With LED M 180 Degree Plug-in Wire Assembly With LED	D4 DC 24V D2 DC 12V