

SLIMLINE

SLIMLINE



The SLIMLINE KINECHEK is the original hydraulic check that has set the industry standards for compactness, reliability and constancy in feed control. It is available in stroke lengths of 1/2 inch, 1 inch, 2 inch and 3 inch; all with a 1200 lb. maximum capacity. The wide selection of models described below will provide a solution to most of your motion control problems. Please contact factory if you have requirements for thrust loads greater than 1,200 lbs.

SPECIFICATIONS

| 1 Model No. of Kinechek Slimline | 2 Description | 3 Stroke | 4 Minimum Force That Will Operate Plunger Full Stroke | 5 Plunger Return Spring Force | 6 Time Req'd for Plunger to Return Outward if Released Suddenly | 7 Load That Will Push Plunger 1 in. Per Sec. at Fastest Adjustment | 8 Load That Will Push Plunger 4 in. Per Sec. at Fastest Adjustment | 9 Time for Full Stroke of Plunger at Slowest Adjustment | | |
|---|------------------|-------------|--|---|--|---|---|--|-----------------|-----------------|
| | | | | | | | | 1000 lb. Load | 500 lb. Load | 100 lb. Load |
| 1001-31-1/2 | extra fast | 1/2 in. | 5 lbs. | 4 lbs. | .015 sec. | 6 lbs. | 10 lbs. | 0.5 sec. | 1 sec. | 5 sec. |
| 1003-31-1/2 | fast | | | | .020 sec. | 9 lbs. | 19 lbs. | 4 sec. | 9 sec. | 50 sec. |
| 1002-31-1/2 | standard | | | | .031 sec. | 11 lbs. | 33 lbs. | 8 sec. | 18 sec. | 150 sec. |
| 1004-31-1/2 | slow speed | | | | .186 sec. | 30 lbs. | 90 lbs. | 38 sec. | 90 sec. | 12.5 min. |
| 1001-31-1 | extra fast | 1 in. | 5 lbs. | 4 lbs. | .030 sec. | 6 lbs. | 10 lbs. | 1 sec. | 2 sec. | 10 sec. |
| 1003-31-1 | fast | | | | .041 sec. | 9 lbs. | 19 lbs. | 8 sec. | 18 sec. | 100 sec. |
| 1002-31-1 | standard | | | | .063 sec. | 11 lbs. | 33 lbs. | 15 sec. | 35 sec. | 5 min. |
| 1004-31-1 | slow speed | | | | .378 sec. | 30 lbs. | 90 lbs. | 75 sec. | 180 sec. | 25 min. |
| 1001-31-2 | extra fast | 2 in. | 5 lbs. | 4 lbs. | .052 sec. | 6 lbs. | 10 lbs. | 2 sec. | 5 sec. | 20 sec. |
| 1003-31-2 | fast | | | | .070 sec. | 9 lbs. | 19 lbs. | 15 sec. | 35 sec. | 200 sec. |
| 1002-31-2 | standard | | | | .106 sec. | 11 lbs. | 33 lbs. | 30 sec. | 70 sec. | 10 min. |
| 1004-31-2 | slow speed | | | | .730 sec. | 30 lbs. | 90 lbs. | 150 sec. | 6 min. | 50 min. |
| 1001-31-3 | extra fast | 3 in. | 5 lbs. | 4 lbs. | .115 sec. | 6 lbs. | 10 lbs. | 3 sec. | 7 sec. | 30 sec. |
| 1003-31-3 | fast | | | | .155 sec. | 9 lbs. | 19 lbs. | 23 sec. | 55 sec. | 5 min. |
| 1002-31-3 | standard | | | | .235 sec. | 11 lbs. | 33 lbs. | 45 sec. | 105 sec. | 15 min. |
| 1004-31-3 | slow speed | | | | 1.620 sec. | 30 lbs. | 90 lbs. | 225 sec. | 9 min. | 75 min. |

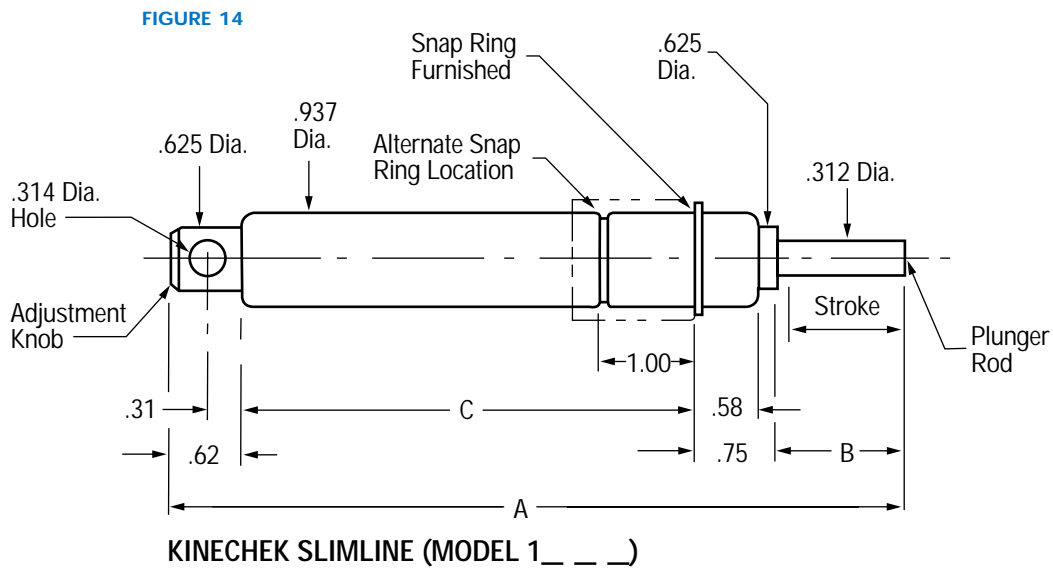
Capacity: 1200 lbs. Maximum – Including Impact When Load Strikes Plunger

135°F Maximum Continuous Operating Temperature

SLIMLINE

DIMENSIONS AND WEIGHTS

| Model No. | Stroke | Weight | A | B | C |
|------------|---------|----------|-------|-------|------|
| 1__-31-1/2 | 1/2 in. | 11.5 oz. | 6.33 | .687 | 4.28 |
| 1__-31-1 | 1 in. | 12.5 oz. | 7.83 | 1.187 | 5.28 |
| 1__-31-2 | 2 in. | 16.5 oz. | 10.87 | 2.187 | 7.31 |
| 1__-31-3 | 3 in. | 19.2 oz. | 13.87 | 3.187 | 9.31 |



**MOUNTING BLOCK NO.
A10031 (SLIMLINE)**

