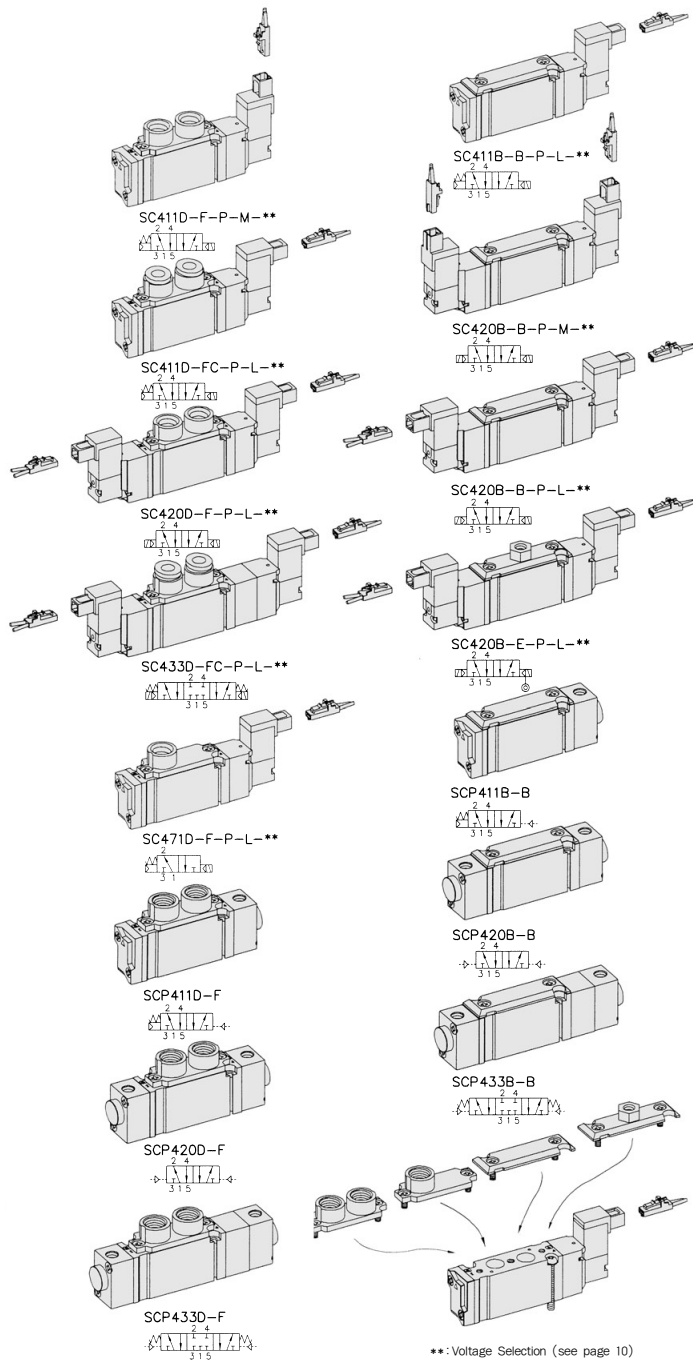


SC400. 1/4

"C" COMPACT Series
Solenoid / Pneumatic Valves

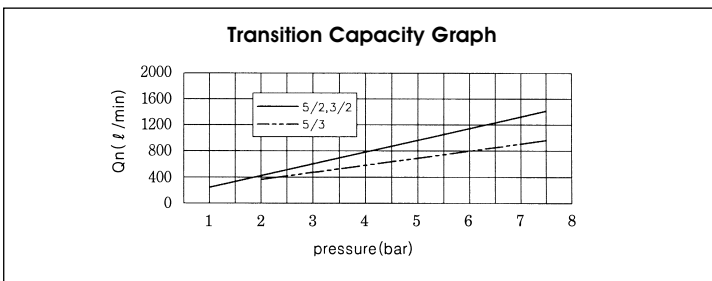
- 5/2, 5/3, 3/2-1/4 ■ 18mm Body Width
- Manifold or Sub-Base Type
- High Efficiency, Space Economy Type
- Transition Flow 900ℓ/min (5bar)



** : Voltage Selection (see page 10)

SPECIFICATION

ITEM	SERIES	SOLENOID, PNEUMATIC	
		FUNCTION	
		5, 3 Port 2 Position	5 Port 3 Position
Fluids		Compressed Air & Inert Gases	
Pressure(bar)		1.5~7.0	2.0~7.0
Eff. Sectional Area(mm ²)-5bar		16.0	12.0
Ambient & Fluid Temp.		5~60°C (41~140°F)	
Response Time(5bar)		25ms or Less	35ms or Less
Max. Working Frequency		5c/sec	3c/sec
Lubrication		Not Required(Use ISO VG32 #)	
Manual Override		Push Button(Standard), Lever Lock(Option)	
Coil Insulation Class		F-Class or Equivalent	
Permissible Voltage Variation		±10% of Rated Voltage	
Off Min. Residual Voltage		DC:10% or Less	
Power Consumption(DC)		Holding-DC:1.2W(50mA)	



- ### The Material of Parts
- Valve Body : Die-Cast Aluminium
 - Cap : Zinc Pressure Die-Cast
 - Spool : Aluminium
 - Pilot Parts : Glass Filled Nylon
 - Seals : NBR
 - Armature : Stainless Steel
 - Spring : Stainless
 - Armature Seals : Viton

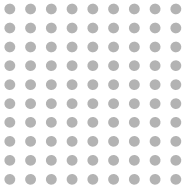
Port Plate Ordering Code (Material : Zinc)

* The specification on each item can be amended without any prenotice to improve a performance.
* The specification on each item can be different from actual specification.

ORDERING NO.

SC4 1 1 D - F - P - L - D4

Valve Series	Function	Return Method	Port Type	Port Plate & Thread	Manual Operator	Solenoid Coil Type	Voltage
SC4 : Solenoid Valve	1	5/2 Single	0 None	D Manifold	F G1/4	0 None	0 None
	2	5/2 Double	1 Air+Spring	B Sub-Base	FN NPT 1/4	L 90 Degree Plug-in Wire	D4 DC 24V
	3	5/3 Closed Center	2 Air		FC Ø8 One-Touch Fitting	M Non-Locking	D2 DC 12V
	4	5/3 Open Center	3 Spring		B Blanking End Plate	L Lever Locking	
SCP4 : Pneumatic Valve	5	5/3 Pressure Center		E External End Plate, Plate M5×0.8		M 180 Degree Plug-in Wire	
	6	3/2 Normally Closed				Assembly LED	
	7	3/2 Normally Open				Assembly LED	

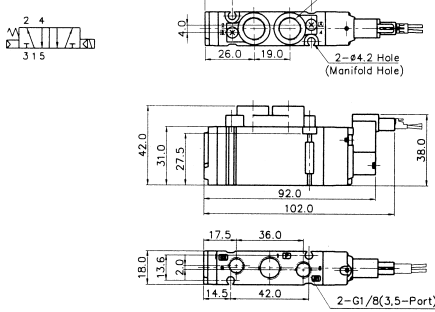


Solenoid & Pilot Actuated Spool Valves

Port Thread 1/4

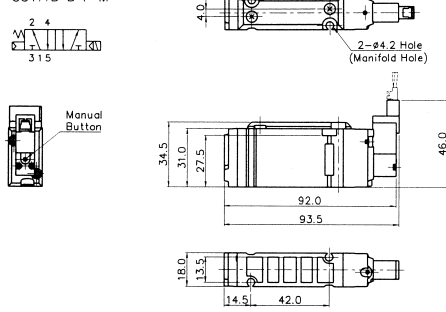
5Port 2Position Solenoid Valve (Manifold)

Single Solenoid
SC411D-F-P-L-***



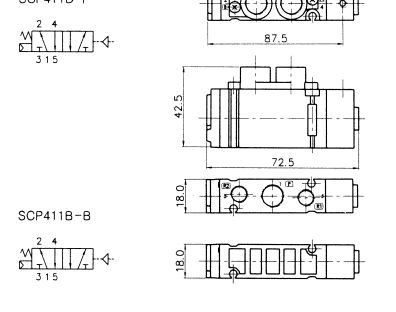
5Port 2Position Solenoid Valve (Sub-Base)

Single Solenoid
SC411B-B-P-M-***

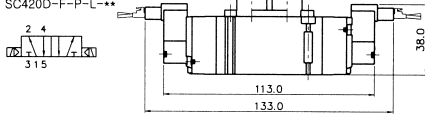


5Port 2Position Pneumatic Valve

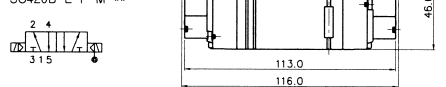
Single Pneumatic
SCP411D-F



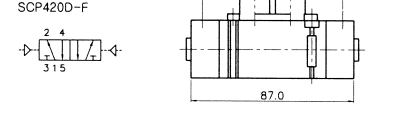
Double Solenoid
SC420D-F-P-L-***



Double Solenoid
External Pilot
SC420B-E-P-M-***

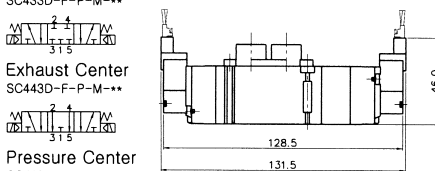


Double Pneumatic
SCP420D-F



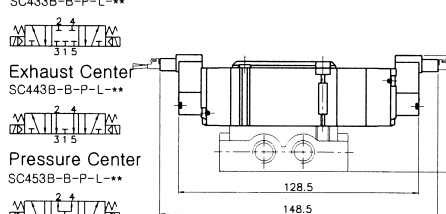
5Port 3Position Solenoid Valve (Manifold)

Closed Center
SC433D-F-P-M-***



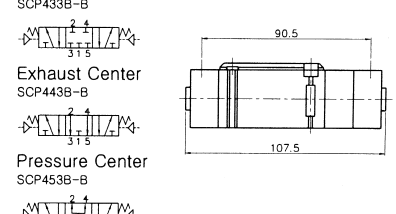
5Port 3Position Solenoid Valve (Sub-Base)

Closed Center
SC433B-B-P-L-***

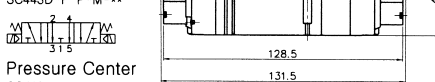


5Port 3Position Pneumatic Valve

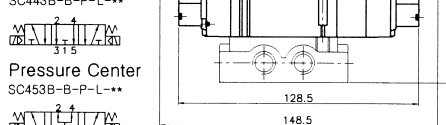
Closed Center
SCP433B-B



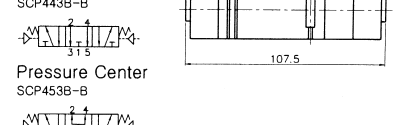
Exhaust Center
SC443D-F-P-M-***



Exhaust Center
SC443B-B-P-L-***



Exhaust Center
SCP443B-B



Pressure Center
SC453D-F-P-M-***



Pressure Center
SC453B-B-P-L-***



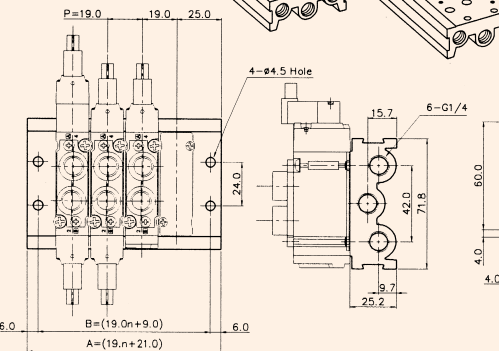
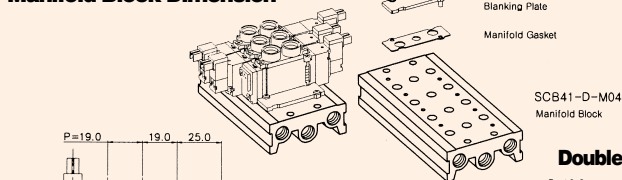
Pressure Center
SCP453B-B



SCB40 SINGLE, DOUBLE MANIFOLD BLOCK

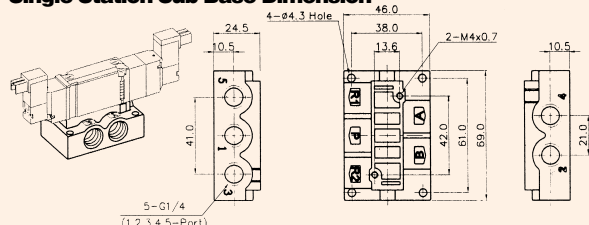
(SC400 Solenoid & Pneumatic Valve Use)

Manifold Block Dimension



MANIFOLD BLOCK DIMENSION		n = STATION				
ITEM	n	2	4	6	8	10
B		47.0	85.0	123.0	161.0	199.0
A		59.0	97.0	135.0	173.0	211.0

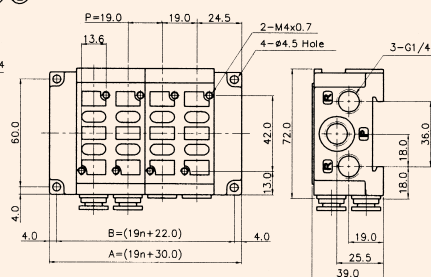
Single Station Sub Base Dimension



Manifold Ordering Code

SCB4 1 - D - M04				
Series	Port & Thread	Function		Manifold Station
SCB4	0 None	D	None	M02 2-Station
SC400 Solenoid Valve	1 G	D	Manifold, Port 1/4	M04 4-Station
	2 NPT	S	Single Station Sub Base, 1/4 Port Without Pilot Ports	M06 6-Station
		DB	Double Modular Sub Base, 1/4 Port Without Pilot Ports	M08 8-Station
		DC8	Double Modular Sub Base, ø8 Fitting	M10 10-Station
		E	End Cover, 1/4 Port	
		EB	End Blanking Cover	

Double Modular Sub Base Dimension



DOUBLE MODULAR SUB BASE DIMENSION n = STATION						
ITEM	n	2	4	6	8	10
B		60.0	98.0	136.0	174.0	212.0
A		68.0	106.0	144.0	182.0	220.0

SCB40-BLK

Blanking Plate

Base Gasket

Ordering Code

SCB40-BLK
Blanking Plate (Material: STS304)
Manifold Gasket
Base Gasket (Material: NBR)

Ordering Code

SCB41-E
End Cover, 1/4 (Material: Al)

Ordering Code

SCB40-DC8
Double Modular Sub Base ø8 One-touch Fitting (Material: Al)

Ordering Code

SCB41-DB
Double Modular Sub Base, 1/4 (Material: Al)

Ordering Code

SCB40-EB
End Blanking Cover (Material: Al)