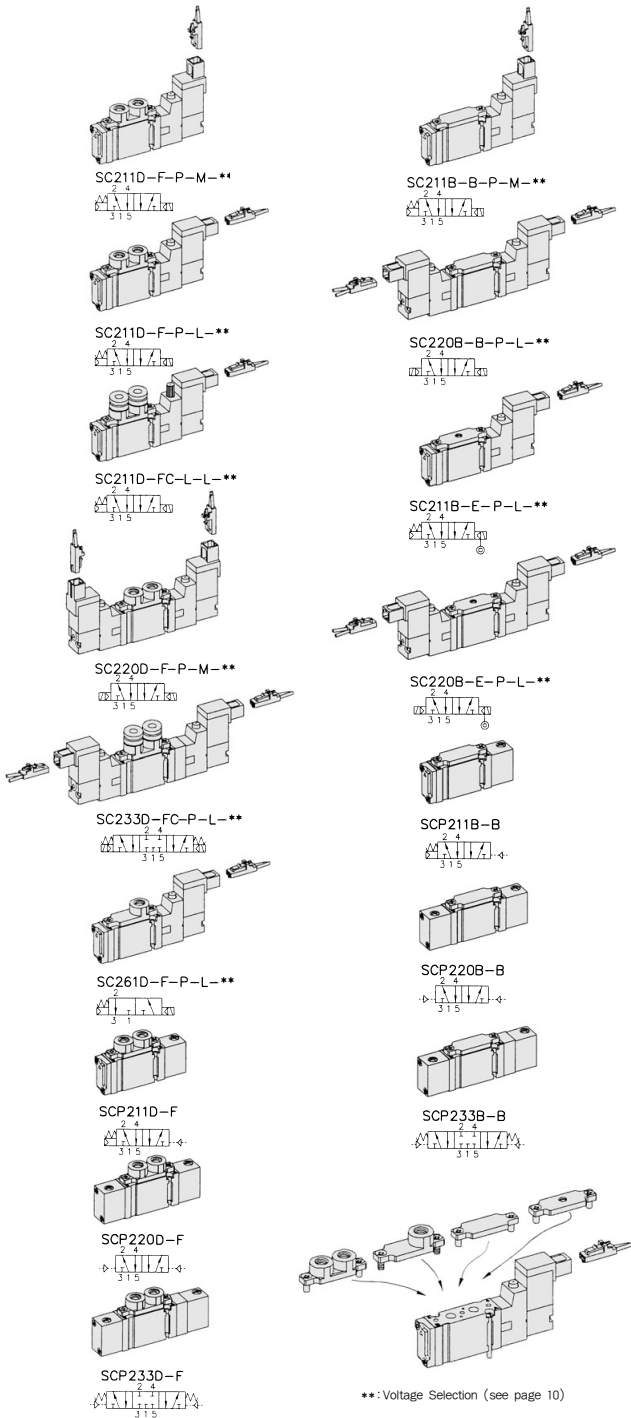


SC200. M5

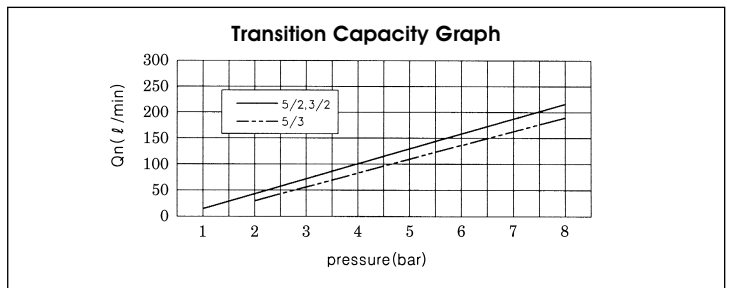
"C" COMPACT Series
Solenoid / Pneumatic Valves

- 5/2, 5/3, 3/2-M5 ■ 10mm Body Width
- Manifold or Sub-Base Type
- High Efficiency, Space Economy Type
- Transition Flow 130ℓ/min (5bar)



SPECIFICATION

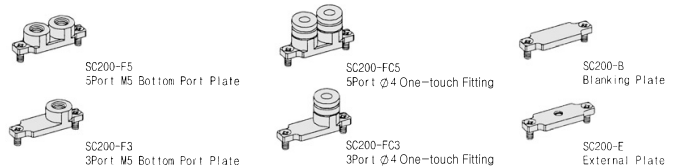
ITEM	SERIES	SOLENOID, PNEUMATIC	
		FUNCTION	
		5, 3 Port 2 Position	5 Port 3 Position
Fluids		Compressed Air & Inert Gases	
Pressure(bar)		2.0~7.0	2.5~7.0
Eff. Sectional Area(mm ²)-5bar		2.3	1.8
Ambient & Fluid Temp.		5~60°C (41~140°F)	
Response Time(5bar)		20ms or Less	30ms or Less
Max. Working Frequency		10c/sec	8c/sec
Lubrication		Not Required(Use ISO VG32 #)	
Manual Override		Push Button(Standard), Lever Lock(Optional)	
Coil Insulation Class		F-Class or Equivalent	
Permissible Voltage Variation		±10% of Rated Voltage	
Off Min. Residual Voltage		DC:10% or Less	
Power Consumption(DC)		Holding-DC:1.2W(50mA)	



The Material of Parts

- Valve Body : Die-Cast Aluminium
- Spool : Aluminium
- Seals : NBR
- Spring : Stainless
- Cap : Zinc Pressure Die-Cast
- Pilot Parts : Glass Filled Nylon
- Armature : Stainless Steel
- Armature Seals : Viton

Port Plate Ordering Code (Material : Zinc)

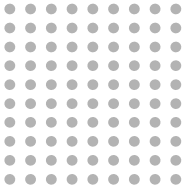


* The specification on each item can be amended without any prenotice to improve a performance.
* The specification on each item can be different from actual specification.

ORDERING NO.

SC2 1 1 D - F - P - L - D4

Valve Series	Function	Return Method	Port Type	Port Plate & Thread	Manual Operator	Solenoid Coil Type	Voltage
SC2 : Solenoid Valve	1	5/2 Single	0 None	D Manifold	F M5×0.8	0 None	0 None
	2	5/2 Double	1 Air + Spring	B Sub-Base	FN 10-32 UNF	P Push	D4 DC 24V
	3	5/3 Closed Center	2 Air		FC φ4 One-Touch Fitting	Non-Locking	D2 DC 12V
	4	5/3 Open Center	3 Spring		B Blanking End Plate	L Lever Locking	
SCP2 : Pneumatic Valve	5	5/3 Pressure Center			E External End Plate, Plate M3×0.5	M 180 Degree Plug-in Wire Assembly LED	
	6	3/2 Normally Closed					
	7	3/2 Normally Open					

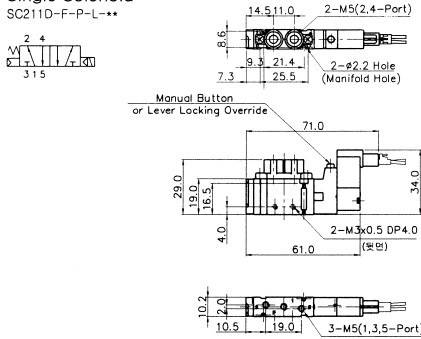


Solenoid & Pilot Actuated Spool Valves

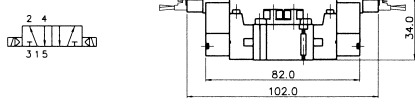
Port Thread M5

5Port 2Position Solenoid Valve (Manifold)

Single Solenoid
SC211D-F-P-L-***

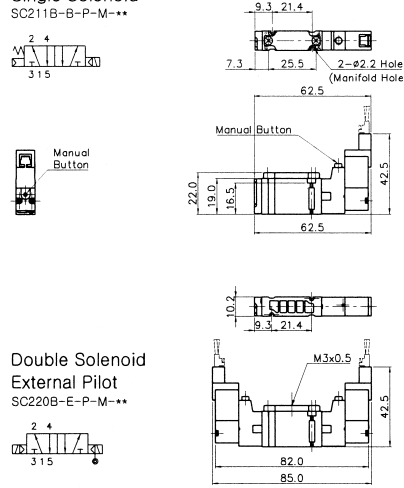


Double Solenoid
SC220D-F-P-L-***

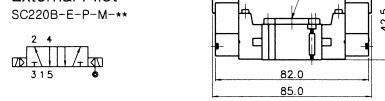


5Port 2Position Solenoid Valve (Sub-Base)

Single Solenoid
SC211B-B-P-M-***

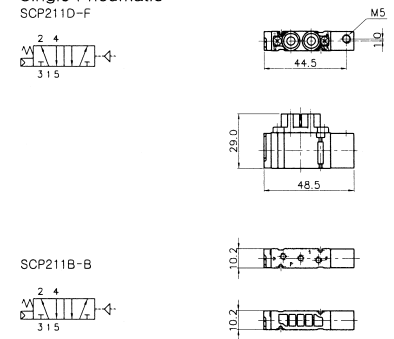


Double Solenoid
External Pilot
SC220B-E-P-M-***



5Port 2Position Pneumatic Valve

Single Pneumatic
SCP211D-F

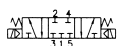


Double Pneumatic
SCP220D-F



5Port 3Position Solenoid Valve (Manifold)

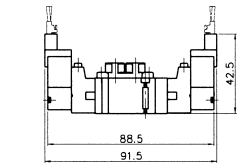
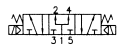
Closed Center
SC233D-F-P-M-***



Exhaust Center
SC243D-F-P-M-***

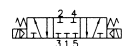


Pressure Center
SC253D-F-P-M-***



5Port 3Position Solenoid Valve (Sub-Base)

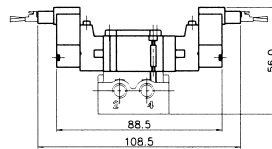
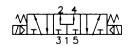
Closed Center
SC233B-B-P-L-***



Exhaust Center
SC243B-B-P-L-***

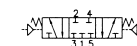


Pressure Center
SC253B-B-P-L-***



5Port 3Position Pneumatic Valve

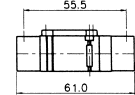
Closed Center
SCP233B-B



Exhaust Center
SCP243B-B



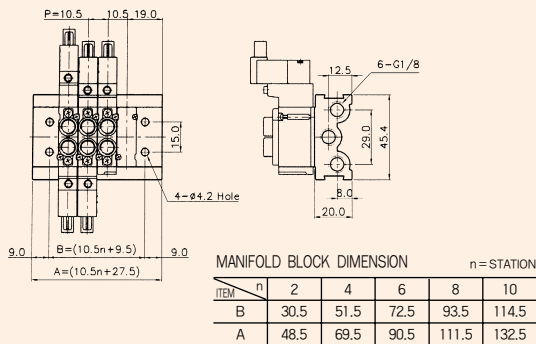
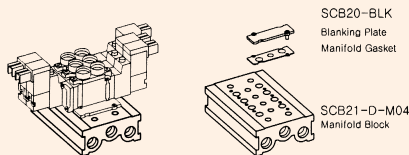
Pressure Center
SCP253B-B



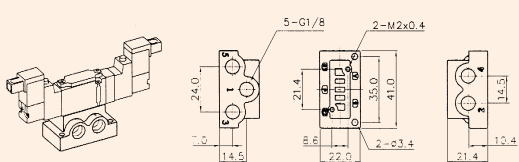
SCB20 SINGLE, DOUBLE MANIFOLD BLOCK

(SC200 Solenoid & Pneumatic Valve Use)

Manifold Block Dimension



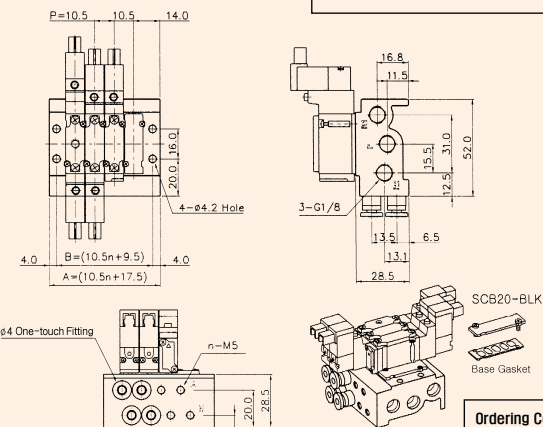
Single Station Sub Base Dimension



Manifold Ordering Code

SCB2 1 - D - M04					
Series	Port & Thread	Function		Manifold Station	
SCB2	0 None	0	None	M02	2-Station
SC200 Solenoid Valve	1 G	D	Manifold, Port 1/8	M04	4-Station
	2 NPT	S	Single Station Sub Base, 1/8 Port Without Pilot Ports	M06	6-Station
		DB	Double Modular Sub Base, M5 Port Without Pilot Ports	M08	8-Station
		DC4	Double Modular Sub Base, ø4 Fitting	M10	10-Station

Double Modular Sub Base Manifold Block Dimension



DOUBLE BASE MANIFOLD BLOCK DIMENSION		n = STATION				
ITEM	n	2	4	6	8	10
B		30.5	51.5	72.5	93.5	114.5
A		38.5	59.5	80.5	101.5	122.5

Ordering Code

- SCB20-BLK Blanking Plate (Material: STS304)
- Manifold Gasket.
- Base Gasket (Material: NBR)