



VacuQuicklift

Easy handling –
with the new tube lifter for loads of up to 35 kg

www.vacuhandling.de

FEZER
Vakuum-Handhabungstechnik



The tube lifter for quick handling tasks

The VacuQuicklift has been developed for the handling of loads up to 35 kg when short cycle times are essential, e.g.

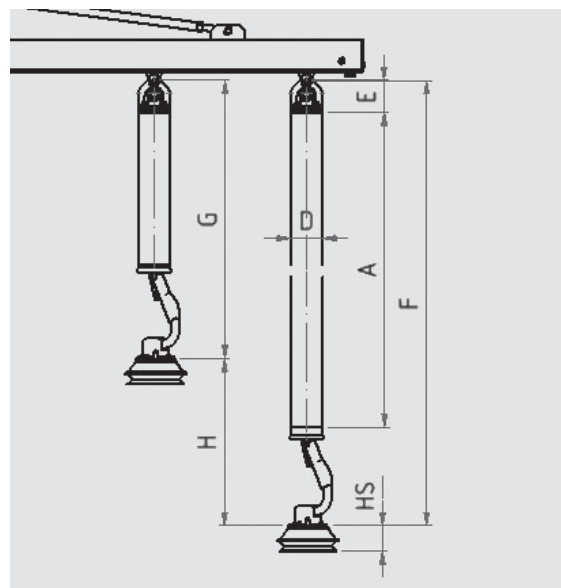
- commissioning of boxes, sacks etc.
- handling of drums
- and all dense and partially porous materials up to 35 kg

With the unique “Quick-Release-System (QRS)” the VacuQuicklift does not only use the vacuum for safe engagement and lifting of loads but also releases set-down loads by squeezing the handle. This not only increases cycle times but makes the handling of the complete lifter much easier. A simple and quick handling which only requires one hand.

VacuQuicklift



VQL with ergonomic one-hand-control



Design and options for the VacuQuicklift VQL



VQL for horizontal handling



Endless rotation for flexible stacking



VQL with 90° swivelling



Simple and safe control with QRS system (quick-release system)



Quick-change coupling for exchanging the suction feet for different tasks during ongoing operation



Different handling tasks

simple, safe, fast

	VQL 80	VQL 80-90°	VQL 100	VQL 100-90°	Technical Data VacuQuicklift
General Data:					
Carrying capacity:	25 kg	25 kg	35 kg	35 kg	
Handling:	horizontal	swivelling	horizontal	swivelling	
Vacuum Generator:	T 4.25	T 4.25	T 4.25	T4.25	
Technical Data:					
Stroke speed:	50 m/min	50 m/min	50 m/min	50 m/min	
Tube diameter D	80 mm	80 mm	100 mm	100 mm	
Total height F	2.950 mm	2.950 mm	2.950 mm	2.950 mm	
Compressed length G	700 mm	700 mm	800 mm	800 mm	
Lifting height tube H	1.800 mm	1.800 mm	1.700 mm	1.700 mm	
Height lifting tube A	2.500 mm	2.500 mm	2.500 mm	2.500 mm	
Height Suspension E	100 mm	100 mm	100 mm	100 mm	
Height Suction foot HS	depending on individual suction foot (min 50 mm - 160 mm)				
Noise level	< 75 dB(A)	< 75 dB(A)	< 75 dB(A)	< 75 dB(A)	



FEZER

Vakuum-Handhabungstechnik

Albert Fezer Maschinenfabrik GmbH

Hauptstr. 37-39

D-73730 Esslingen

Tel.: +49 711 36 009-0

Fax: +49 711 36 009-40

E-mail: fezer@fezer.de

Internet: www.fezer.de

Sales Europe

Austria
Belgium
Czech Republic
Denmark
Finland
France
Great Britain
Hungary
Italy
Ireland
Netherlands
Norway
Poland
Portugal
Russia
Slovenia
Spain
Sweden
Switzerland

Sales Worldwide

Australia
Argentina
Brazil
Canada
China
India
Indonesia
Japan
Malaysia
Mexico
Philippines
Russia
Saudi-Arabia
Singapore
South Africa
Taiwan
Thailand
Turkey
USA
Vietnam