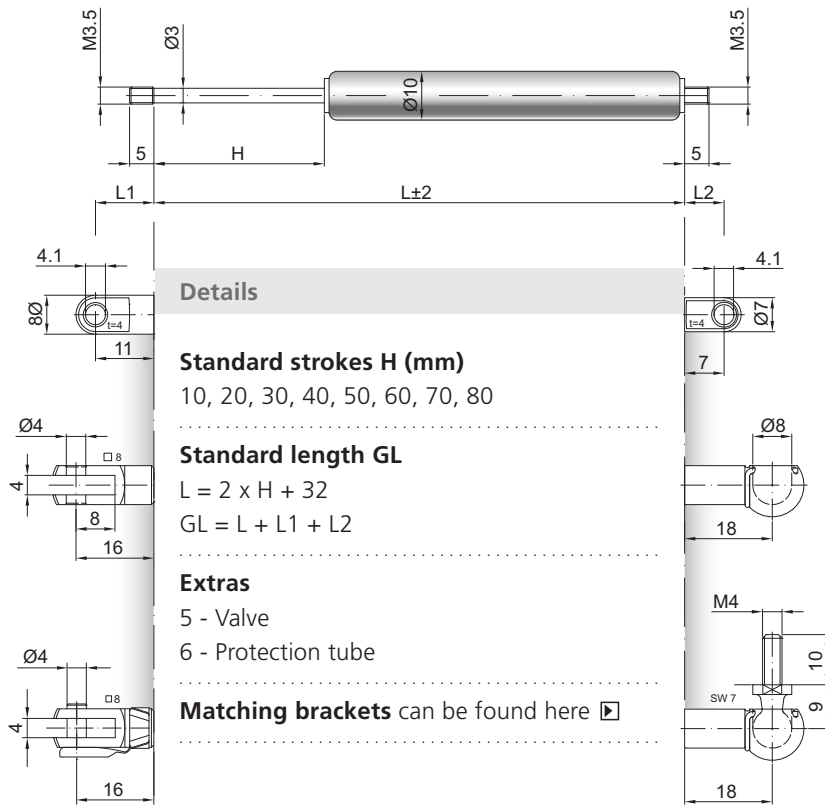


# Gas spring G 03-10

<b>Extension force F1</b>	5 - 100 Newton
<b>Progression</b>	20 %
<b>Piston rod</b>	Ø 3 mm, stainless steel
<b>Cylinder</b>	Ø 10 mm, stainless steel, black spray coated
<b>Threads</b>	Steel zinc plated

GZ 05

GZ 05



AU 11

AB 07

*only possible on cylinder end*

GA 16

PX 18

GG 16

WX 18

**Details**

**Standard strokes H (mm)**  
10, 20, 30, 40, 50, 60, 70, 80

**Standard length GL**  
 $L = 2 \times H + 32$   
 $GL = L + L1 + L2$

**Extras**  
5 - Valve  
6 - Protection tube

**Matching brackets** can be found here ▶